

RETRAC

MIRRORS

Reflecting Quality for Over 50 Years

PRODUCT CATALOG



TRUCK MIRROR SPECIALISTS

RETRAC Mirrors offers the most extensive product line in the truck mirror industry. From heavy-duty to pickups, military to agricultural, RETRAC offers a complete selection of products.

***Famous
RETRAC
patented
retractable
design.***

***Adjustable spring tension ratchet permits retraction
in either direction for maximum clearance.***

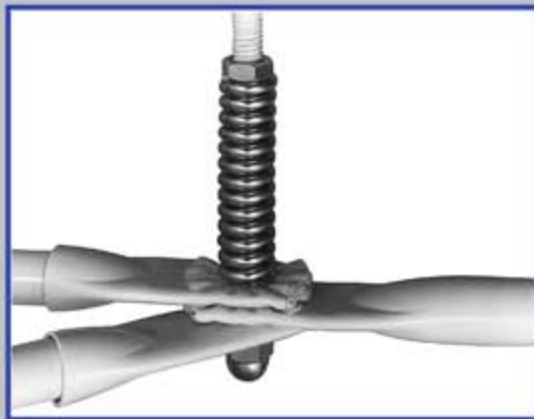


TABLE OF CONTENTS

HEAVY DUTY APPLICATIONS

Aerodynamic Mirror Heads	2-3
Motorized West Coast Mirror Heads	4
West Coast Mirror Heads	5-8
Convex Mirror Heads	9-12
Brackets and Clamps	13-14
Safety Assemblies	14-17
Heavy & Medium Duty - West Coast Assemblies	18-19
Universal Retractable Assemblies	20
Assembly Application Chart	21
Loops & Grab Handles	22

LIGHT DUTY APPLICATIONS

OE Custom Light Duty & Van Assemblies and Application Chart	23-24
OE Custom Step Van Assemblies	25-26
Step Van Application Chart	26
Step Van Replacement Heads	27
Light Duty Mirror Assemblies	28-31
Light Duty Replacement Heads	32

SCHOOL BUS

School Bus Black Convex Mirrors & Safety Assemblies	33
School Bus West Coast Mirror Heads	34

HEAVY DUTY GRILLE GUARDS

Tuff Guard	35-37
ProTec Grille Guard	38-40
BIG RIG Grille Guard	41
Work Truck Edition	42-44
Displays	45

ORDERING INFORMATION

ORDERING TERMS & INSTRUCTIONS

Definition of Mounting Terms

CUSTOM - Mounting brackets match standard factory hole drilling.

UNIVERSAL - Mounting brackets DO NOT match factory holes. By using a variety of mounting brackets and clamps, Universal Models are designed to fit and install on any vehicle in the category specified.

TOLL FREE
800-328-5192

To Order By Telephone:
PHONE
605-582-7200
WEBSITE
www.retracmirrors.com

FAX
605-582-3486

AERODYNAMIC MIRROR HEAD

NEW

OEM STYLE MIRROR HEADS

610872

- Universal 8" x 17" West Coast Mirror Head, Black or Chrome, 3/4" to 1-1/4" Clamp Mounted
- 610872 - Black Plastic Mirror
- 610873 - Black Plastic Heated Mirror
- 610878 - Chrome Plastic Mirror
- 610879 - Chrome Plastic Heated Mirror
- 610884 - Replacement Glass
- 610885 - Replacement Heated Glass

610875

- Universal 8" x 8-1/2" Convex Mirror Head, Black or Chrome, 3/4" to 1-1/4" Clamp Mounted
- 610875 - Black Plastic Convex
- 610876 - Black Plastic Heated Convex
- 610881 - Chrome Plastic Convex
- 610882 - Chrome Plastic Heated Convex
- 610886 - Replacement Glass
- 610887 - Replacement Heated Glass



610878



610872



610881



610875

OEM STYLE 8" x 19" MIRROR HEAD

611771

- Black Plastic
- Dual Vision
- Fits 5/8" to 1-1/8"



611771



AERODYNAMIC MIRROR HEAD

- Universal Stud Mount has the Ability to Mount onto 3/4", 1", 1-1/8" & 1-1/4" Diameter Tube
 - Finest Quality Non-Glare Glass
- 613460** - Switch Package



613460

AERODYNAMIC MOTORIZED SINGLE VISION FLAT GLASS

613410

- 8" x 19" Motorized, Single Vision, Black Plastic
- 613412 - Heated
613414 - Heated & Lighted

613411

- 8" x 19" Motorized, Single Vision, Chrome Finish
- 613413 - Heated
613415 - Heated & Lighted

AERODYNAMIC MANUAL SINGLE VISION FLAT GLASS

613510

- 8" x 19" Manual, Single Vision, Black Plastic
- 613512 - Heated
613514 - Heated & Lighted

613511

- 8" x 19" Manual, Single Vision, Chrome Finish
- 613513 - Heated
613515 - Heated & Lighted

AERODYNAMIC MOTORIZED DUAL VISION GLASS

613420

- 8" x 19" Motorized, Dual Vision, Black Plastic
- 613422 - Heated
613424 - Heated & Lighted

613421

- 8" x 19" Motorized, Dual Vision, Chrome Finish
- 613423 - Heated
613425 - Heated & Lighted

AERODYNAMIC MANUAL DUAL VISION GLASS

613520

- 8" x 19" Manual, Dual Vision, Black Plastic
- 613522 - Heated
613524 - Heated & Lighted

613521

- 8" x 19" Manual, Dual Vision, Chrome Finish
- 613523 - Heated
613525 - Heated & Lighted



Black



Chrome



Flat Glass



Flat & Convex Glass

REPLACEMENT GLASS

- 613465 - Single Vision Heated
613466 - Single Vision

REPLACEMENT GLASS

- 613474 - Dual Vision Heated
613475 - Dual Vision
613495 - Heated Flat Glass
613476 - Heated Convex Glass
613497 - Flat Glass
613498 - Convex Glass

MOTORIZED MIRRORS



607012 (1172)

- *Increased visibility*
- *Added control & safety*
- *Vertical & horizontal adjustment - touch control*
- *Blind spots eliminated without loss of direct vision*
- *Rigid mounting reduces vibration*
- *Easy installation both Retro & OEM*
- *Harness & switch included*

MOTORIZED

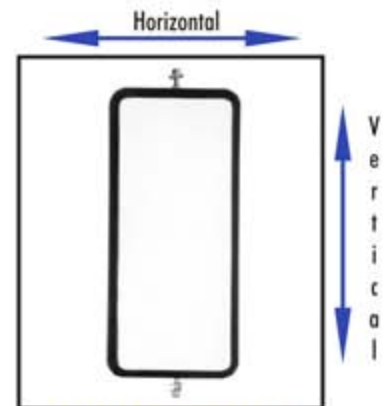
607002 (1171)

- 607004 (1171H)
- Heated
- 607008 (1171HL)
- Heated/Lighted

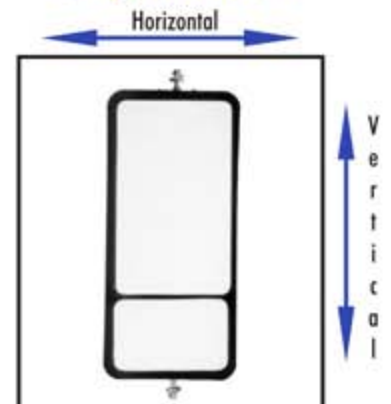
7" X 16" OE STYLE
Polished Stainless Steel Back,
Plastic Housing, 4-Way Actuators,
Common Components

607012 (1172)

- 607014 (1172H)
- Heated
- 607018 (1172HL)
- Heated/Lighted



Single Vision



Dual Vision

WEST COAST MIRROR HEADS

ECONOMY

6" x 16" MIRROR HEADS

- Universal Center Mount Thru Rod
- Brushed Aluminum Finish

610321 (1149)

- 6" x 16" OE Style Aluminum

610278 (1151)

- Aluminum Back Mirror, 5/16" Thru Rod, Plastic End Caps
- Bulk Pack 10/Box

600604 (1152)

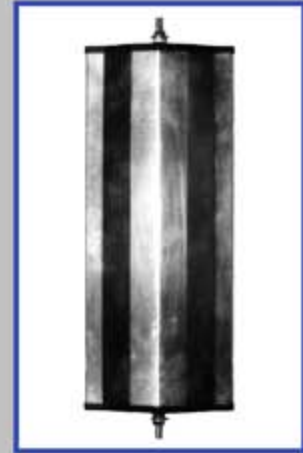
- Aluminum Mirror Head, 5/16" Thru Rod
- Bulk Pack 10/Box
- 600611 (1152H) - Heated, Sold Individually

600609 (1152-1)

- Aluminum Mirror Head, 1/4" Thru Rod
- Bulk Pack 10/Box



610321
(1149)



610278
(1151)

BRIGHT ANODIZED ALUMINUM 6" x 16" MIRROR HEADS

- Flange Mount Mirror
- Finest Quality Non-Glare Glass
- Lightweight for Vibration-Free Performance
- Corrosion-Free
- Universally Fits All Assemblies

600932 (1158)

- Bright Anodized Aluminum Mirror Head with Yellow Chevrons
- 600960 (1158H) - Heated
- 601010 (1158HL) - Heated & Lighted
- 600985 (1158L) - Lighted

601017 (1158DV) Dual Vision

- Bright Anodized Aluminum Mirror Head with Yellow Chevrons
- Built-in 4" x 6" Adjustable Convex Mirror Head for Wide Angle Vision
- 601045 (1158DVH) - Heated Dual Vision
- 601120 (1158DVHL) - Heated & Lighted Dual Vision
- 601080 (1158DVL) - Lighted Dual Vision

601142 (1158E)

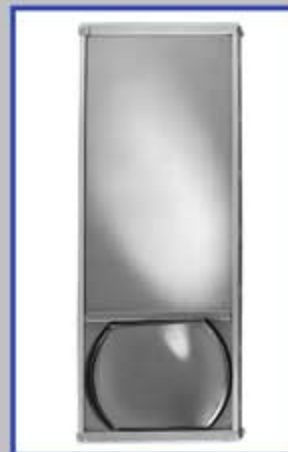
- Bright Anodized Aluminum Mirror Head with Embossed Chevrons
- 601165 (1158EH) - Heated
- 601250 (1158EHL) - Heated & Lighted
- 601210 (1158EL) - Lighted



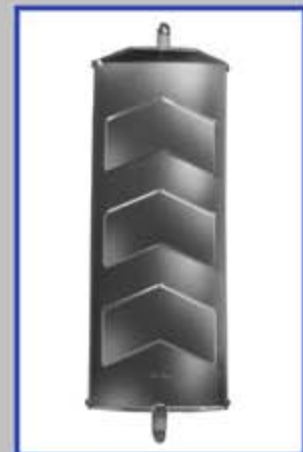
600604
(1152)



600932
(1158)



601017
(1158DV)



601142
(1158E)

WEST COAST MIRROR HEADS

OEM STYLE FLAT RIB BACK 7" x 16" MIRROR HEADS

- Universal Stud Mount
- Hard Baked Enamel

610216 (1143)

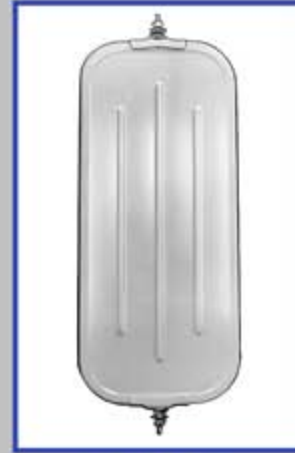
- Black
610221 (1143H) - Heated

610226 (1144)

- Polished Stainless Steel
610231 (1144H) - Heated

610236 (1145)

- White
610241 (1145H) - Heated



**610236
(1145)**

OEM STYLE BUBBLE BACK 7" x 16" MIRROR HEADS

- Universal Stud Mount
- Hard Baked Enamel

610246 (1146)

- Black
610251 (1146H) - Heated

610256 (1147)

- Polished Stainless Steel
610261 (1147H) - Heated

610266 (1148)

- White
610271 (1148H) - Heated



**610246
(1146)**

OEM STYLE PYRAMID BACK 7" x 16" MIRROR HEADS

- Navistar Style Mirror Head
- Flange Mount Mirror
- Finest Quality Non-Glare Glass
- Universally Fits All Assemblies

600682 (1156)

- White
600710 (1156H) - Heated
600685 (1156B) - Black

600807 (1157)

- Polished Stainless Steel
600834 (1157H w/IH Plug) - Heated
600835 (1157H) - Heated



**600682
(1156)**



**600834
(1157H-IH Harness)**



**600807
(1157)**

WEST COAST MIRROR HEADS

OEM STYLE MIRROR HEADS

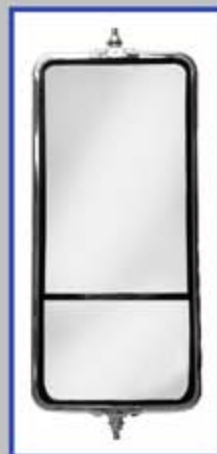
- Universal Stud Mount

601272 (1159)

- 7" x 16" OE Style Polished Stainless Steel
- Finest Quality Non-Glare Glass
- 601285 (1159H) - Heated
- 601288 (1159HL) - Heated & Lighted
(Flush Mount Light)
- 601268 (1159DV) - Dual Vision
- 601274 (1159DVH) - Dual Vision, Heated



**601272
(1159)**



**601268
(1159DV)**



**601288
(1159HL)**

601292 (1160)

- 6" x 16" OE Style Polished Stainless Steel
- 601305 (1160H) - Heated



**601292
(1160)**



**610301
(1161)**



**605400
(1163)**

610301 (1161)

- 7" x 16" OE Style Polished Stainless Steel
- 610306 (1161H) - Heated
- 610316 (1161HL) - Heated & Lighted
- 610311 (1161L) - Lighted
(External Mount Light)

605400 (1163)

- 7" x 16" OE Style Black Plastic
- Finest Quality Non-Glare Glass

605403 (1162)

- 7" x 16" OE Style Polished Stainless Steel
- Finest Quality Non-Glare Glass
- 610204 (1162H) - Heated
- 610206 (1162HL) - Heated & Lighted
- 610202 (1162L) - Lighted (External Mount Light)
- 605409 (1162H w/GM Plug) - Heated
- 605448 (1162H w/Isuzu Plug) - Heated



**605403
(1162)**



**605409
(1162H-GM Harness)**



**610331
(1166)**

610331 (1166)

- 7" x 16" OE Style Polished Stainless Steel Pyramid Back
- 610336 (1166H) - Heated

610351 (1167)

- 7" x 16" OE Style Painted Black Pyramid Back
- 610356 (1167H) - Heated

WEST COAST MIRROR HEADS

OFFROAD WEST COAST MIRROR HEADS

- E-Stamped, Approved and Certified
- Shatterproof

9" x 17" Black Plastic Semi-Convex

- Class II
- 610290 (1164) - 5/8" to 7/8" Clamp Mounted
- 611774 - 1" to 1-1/4" Clamp Mounted

8" x 16" Black Plastic Semi-Convex

- Class II
- 610295 (1165) - 5/8" to 3/4" Clamp Mounted

7" x 9" Black Plastic Semi-Convex

- Class IV
- 611770 - 5/8" to 7/8" Clamp Mounted
- 611773 - 1" to 1-1/4" Clamp Mounted

611828

- 7" x 10" Black Plastic Convex, Class VI, 3/4" to 1" Clamp Mounted



610295
(1165)



610290
(1164)



611828



611770

ACCESSORIES

101181

- 5-1/2" x 14-1/2" Heater Pad



AG-CHEM
607458-RH and 607468-RH
607456-LH and 607466-LH

CONVEX SPOT MIRRORS

CONVEX STICK-ON SPOT MIRRORS

- 610851 (43)** - 2" x 1" Wedge Blind Spot Convex
- 610854 (44)** - 2-1/2" x 3-3/4" Wedge Blind Spot Convex
- 610857 (45)** - 3" x 4" Wedge Blind Spot Convex
- 604770 (46)** - 4" x 5-1/2" Rectangular Convex
- 604771 (65)** - 2" Round Convex
- 604772 (69)** - 3" Round Convex
- 604773 (70)** - 3-3/4" Round Convex

CONVEX MIRRORS

- Convex Glass for Wide-Angle Vision
- Vibration Tested to Ensure Long Life
- Salt Spray Tested to 360 Hours

- 610020 (80)**
 - 3-3/4" Round Convex with Center Mount Ball Stud

- 611770**
 - 7" x 9" Black Plastic Semi-Convex, Class IV, 5/8" to 7/8" Clamp Mounted

- 611773**
 - 7" x 9" Black Plastic Semi-Convex, Class IV, 1" to 1-1/4" Clamp Mounted

- 611828**
 - 7" x 10" Black Plastic Convex, Class VI, 3/4" to 1" Clamp Mounted

5" ROUND CONVEX - CENTER MOUNT MIRRORS

- 604950 (90)**
 - Bright Aluminum, Flat Glass

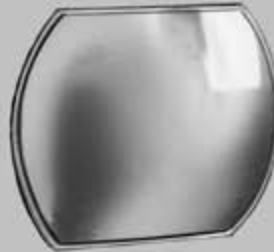
- 610076 (91)**
 - Bright Aluminum

- 610131 (94)**
 - Steel Coated Black with 5/16" Center Mount Ball Stud
 - 610133 (94J5) - With J Bracket

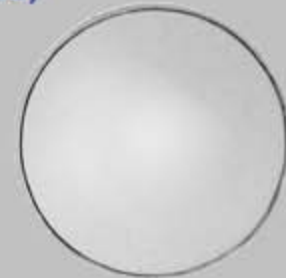
- 610146 (95)**
 - Polished Stainless Steel with 5/16" Center Mount Ball Stud
 - 610148 (95J5) - With J Bracket



610857 (45)



604770 (46)



604772 (69)



610020 (80)



611770



611828



610076 (91)



610131 (94)

6"-7½" ROUND CONVEX MIRROR HEADS

6" ROUND CONVEX - CENTER MOUNT MIRRORS

610161 (951)

- Aluminum Coated Black with 5/16" Center Mount Ball Stud
610163 (951J5) - With J Bracket

610176 (952)

- Bright Anodized Aluminum with 5/16" Center Mount Ball Stud
610178 (952J5) - With J Bracket

610191 (953)

- Polished Stainless Steel with 5/16" Center Mount Ball Stud
610193 (953J5) - With J Bracket
610401 (953-4) - 5/16" Plastic Ball Stud
610403 (953-4J5) - 5/16" Plastic Ball Stud with J Bracket

610406 (954)

- Steel Coated Black with 5/16" Center Mount Ball Stud
610408 (954J5) - With J Bracket



610176 (952)



610191 (953)



610193 (953J5)



610406 (954)

7-1/2" ROUND CONVEX - OFFSET MOUNT MIRRORS

609841 (871)

- Steel Coated Black with 5/16" Offset Ball Stud
609843 (871J5) - With J Bracket

609836 (872)

- Polished Stainless Steel with 5/16" Offset Ball Stud
609838 (872J5) - With J Bracket
609876 (872-4) - 5/16" Plastic Ball Stud
609878 (872-4J5) - 5/16" Plastic Ball Stud with J Bracket



609841 (871)



609836 (872)



609878 (872-4J5)

7-1/2" ROUND CONVEX - CENTER MOUNT MIRRORS

604976 (873)

- Polished Stainless Steel with 5/16" Center Mount Ball Stud
604978 (873J5) - With J Bracket
609816 (873-4) - 5/16" Plastic Ball Stud
609818 (873-4J5) - 5/16" Plastic Ball Stud with J Bracket

604981 (876)

- Steel Coated Black with 5/16" Center Mount Ball Stud
604983 (876J5) - With J Bracket



604976 (873)



609816 (873-4)

8"-8½" ROUND CONVEX MIRROR HEADS

8" ROUND CONVEX - OFFSET MOUNT MIRRORS

610551 (980)

- Polished Stainless Steel with 5/16" Offset Ball Stud
610556 (980H) - Heated
610553 (980J5) - With J Bracket
604798 (980-4) - 5/16" Plastic Ball Stud
604793 (980-4H) - 5/16" Plastic Ball Stud, Heated
610583 (980-4J5) - 5/16" Plastic Ball Stud with J Bracket

610591 (981)

- Steel Coated Black with 5/16" Offset Ball Stud
610596 (981H) - Heated
610593 (981J5) - With J Bracket
604827 (981-4) - 5/16" Plastic Ball Stud
604835 (981-4H) - 5/16" Plastic Ball Stud, Heated
610623 (981-4J5) - 5/16" Plastic Ball Stud with J Bracket

8" ROUND CONVEX - CENTER MOUNT MIRRORS

610671 (983)

- Polished Stainless Steel with Center Mount 5/16" Ball Stud
610676 (983H) - Heated
610673 (983J5) - With J Bracket
604898 (983-4) - 5/16" Plastic Ball Stud
610703 (983-4J5) - 5/16" Plastic Ball Stud with J Bracket
604895 (983-4H) - 5/16" Plastic Ball Stud, Heated

610711 (986)

- Steel Coated Black with Center Mount 5/16" Ball Stud
610713 (986J5) - With J Bracket
604913 (986-4) - 5/16" Plastic Ball Stud
604915 (986-4H) - 5/16" Plastic Ball Stud, Heated
610743 (986-4J5) - 5/16" Plastic Ball Stud with J Bracket

8½" ROUND CONVEX - OFFSET MOUNT MIRRORS

609896 (880)

- Polished Stainless Steel with 5/16" Offset Ball Stud
609898 (880J5) - With J Bracket
609906 (880H) - Heated
609936 (880-4) - 5/16" Plastic Ball Stud
609946 (880-4H) - 5/16" Plastic Ball Stud, Heated
609938 (880-4J5) - Plastic Ball Stud with J Bracket

609901 (881)

- Steel Coated Black with 5/16" Offset Ball Stud
609911 (881H) - Heated
609903 (881J5) - With J Bracket



604798 (980-4)



604793 (980-4H)



604827 (981-4)



610703 (983-4J5)



604898 (983-4)



610711 (986)



609898 (880J5)



609938 (880-4J5)

CONVEX MIRROR HEADS

8" BUBBLE MIRRORS

609955 (979)

- Polished Stainless Steel with 5/16" Center Mount Ball Stud, Semi-Bubble
- 609957 (979J5) - With J Bracket
- 609965 (979-4) - 5/16" Plastic Ball Stud
- 609970 (979B-4) - Black

610750 (987)

- Steel Coated Black with 5/16" Center Mount Ball Stud, Full Bubble

610775 (991)

- Polished Stainless Steel with 5/16" Center Mount Ball Stud, Full Bubble

10" & 12" ROUND CONVEX - CENTER MOUNT MIRRORS

604945 (990-4)

- 10" Black Plastic Back with 5/16" Center Mount Plastic Ball Stud

604946

- 10" Postal White Plastic Back with 5/16" Center Mount Plastic Ball Stud

604953

- 10" Polished Stainless Steel with 5/16" Center Mount Ball Stud

604954

- 10" Steel Coated Black with 5/16" Center Mount Ball Stud

604947 (993-4)

- 12" Black Plastic Back with 5/16" Center Mount Plastic Ball Stud

RECTANGULAR - CENTER MOUNT MIRRORS

- 5-1/2" x 7-1/2" Rectangular Convex with 1/4" Center Mount Ball Stud

610465 (96B)

- Black

610456 (96)

- Anodized Aluminum
- 610485 (96F) - Flat Glass

610450 (97)

- Stainless Steel
- 610480 (97F) - Flat Glass



609955
(979)



610775
(991)



604945
(990-4)



604953



610456
(96)

BRACKETS & CLAMPS

AUXILIARY MIRROR MOUNTING BRACKET KITS

608365 (6MK) BRACKET KIT

- 6" x 3/4" Leg, Steel Coated Gray

608357 (4MK) BRACKET KIT

- 4" x 3/4" Leg, Steel Coated Gray

608359 (6MK-SS) BRACKET KIT

- 6" x 3/4" Leg, Stainless Steel

608351 (4MK-SS) BRACKET KIT

- 4" x 3/4" Leg, Stainless Steel



608357 (4MK)

WEST COAST CONVERSION MOUNTING KIT

SWEDGED LOOP TO PLAIN LOOP

- 604205



604205

CLAMPS

607965

- OEM Style Clamp for 3/4" O.D. Tube, with 5/16" Hole
- Plastic Coated Stainless Steel



607965

607956 (640-C)

- 2-Piece Dovetail Clamp for 5/8" O.D. Tube, with 3/8" Hole - Bright Zinc-Plated



607956
(640-C)



607962
(660-C)



607959
(661-C)

607961 (SS660-C)

- 2-Piece Dovetail Clamp for 3/4" O.D. Tube, with 3/8" Hole - Stainless Steel

607962 (660-C) - Bright Zinc-Plated

607958 (SS661-C)

- 2-Piece Dovetail Clamp for 3/4" O.D. Tube, with 1/4" Hole - Stainless Steel

607959 (661-C) - Bright Zinc-Plated

612994

- 2-Piece Dovetail Clamp for 1" SST Tube, with 3/8" Hole



612994



612995



612996

612995

- 2-Piece Dovetail Clamp for 1-1/8" SST Tube, with 3/8" Hole

612996

- 2-Piece Dovetail Clamp for 1-1/4" SST Tube, with 3/8" Hole



607952
(SS663-C)

607952 (SS663-C)

- Twisted Clamp - Stainless Steel

607964 (666-C)

- GMC-Style Clamp - Stainless Steel

607964
(666-C)



BRACKETS & CLAMPS/SAFETY ASSEMBLIES

J-BRACKETS

- 607969 (J500)** - Zinc-Plated, 3/8" Hole
- 607968 (J502)** - Stainless Steel, 3/8" Hole
- 607967 (J510)** - Zinc-Plated, 1/4" Hole
- 607966 (J512)** - Stainless Steel, 1/4" Hole
- 607978** - Slotted Stainless Steel



607967 (J510)

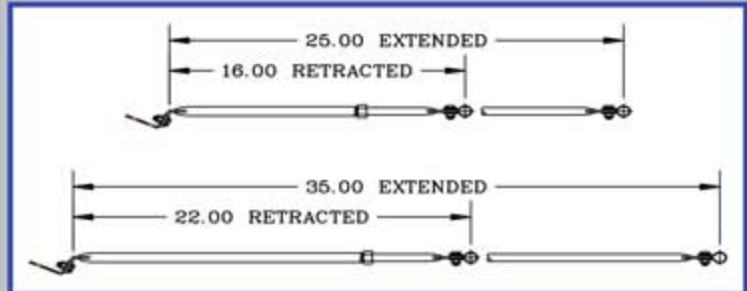


607978



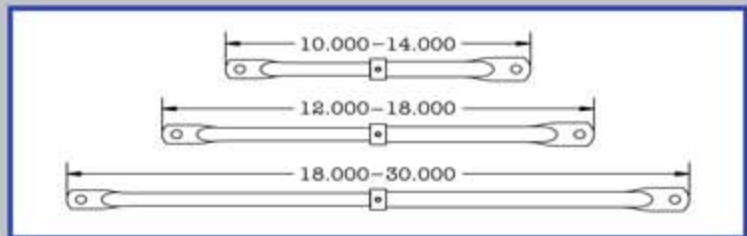
ADJUSTABLE STABILIZING KIT

- 605775 (SS150-ST1)**
 - Extends from 16" - 25" - Stainless Steel
- 606635 (SS150-ST1-2EXT)**
 - Extends from 22" - 35" - Stainless Steel



STAINLESS STEEL ADJUSTABLE BRACE

- 606380 (158-3T)**
 - Extends from 10" - 14"
- 606383 (158-3T1)**
 - Extends from 12" - 18"
- 606386 (158-3T2)**
 - Extends from 18" - 30"
- 608295 (158-3T3)**
 - Extends from 16" - 26"



SAFETY MIRROR ASSEMBLIES

- 604650 (396)**
 - 5-1/2" x 7-1/2"
 - Bright Anodized Aluminum Convex
- 610868 (397)**
 - 4" x 8" Convex
 - Stainless Steel
 - Over the Door Mirror
 - Peek-A-Boo Mirror
- 612785**
 - 6" x 10" Black Plastic Convex
 - Class V
 - Shatterproof
 - Over the Door Mirror



604650 (396)



610868 (397)



612785

SAFETY ASSEMBLIES

SAFETY MIRROR ASSEMBLIES

604668 (3980)

2-Piece

- Cabover Safety Mirror
- Polished Stainless Steel
- Mirror Head Not Included

604671 (3982)

3-Piece

- Adjustable Cabover Safety Assembly
- Polished Stainless Steel
- Mirror Head Not Included

604674 (3983)

- Cowl or Fender Mount, Safety Assembly
- Polished Stainless Steel
- Bell-Type Mounting
- Mirror Head Not Included

604677 (3984)

- Conventional Front Fender Mount
- Polished Stainless Steel
- Bell-Type Mounting
- Mirror Head Not Included
- 21" to 34" Adjustable

604673 (3984/983)

- Conventional SST Front Fender Mount with 8" SST Center Mount Convex

611651 (3979)

- Conventional Front Fender Mount
- Fender Guide Style
- Polished Stainless Steel
- Mirror Head Not Included
- 12" to 19" Adjustable

611656 (3979-2)

3-Piece

- Conventional Front Fender Mount
- Fender Guide Style
- Polished Stainless Steel
- Mirror Head Not Included
- 25" to 32" Adjustable



**604668
(3980)**



**604674
(3983)**



**604677
(3984)**



**611651
(3979)**



**611656 (3979-2)
(3-Piece)**

SAFETY ASSEMBLIES

SAFETY ASSEMBLIES

604688 (3986)

- Polished Stainless Steel
- Aerodynamic Cover
- Extra Wide Mounting Bracket and Backing Plate to Minimize Vibration
- Mirror Head Not Included



604688
(3986)

604696 (3990)

- Polished Stainless Steel
 - 14" to 19" Adjustable Arm for Universal Mount
 - Four-Hole Mounting for Conventional or Cab Over Tractors
 - Mirror Head Not Included
- 610869 - (3990) Non-Adjustable with 983-4
610871 - (3990) Non-Adjustable without Mirror



604696
(3990)

604697 (3992)

- Polished Stainless Steel
 - 18" to 23" Adjustable Arm for Universal Mount
 - Four-Hole Mounting for Conventional Tractors
 - Mirror Head Not Included
- 612105 - (3992) Special Plate for Columbia with 979-4
612106 - (3992) Special Plate for Columbia w/o Mirror



604662
(398H)

604662 (398H)

- Polished Stainless Steel
- 8" SST Offset Mount Convex Included

604692 (3987)

- 604694 (3987BC) - Bell-Cup Mounting
- Polished Stainless Steel
- Mirror Head Not Included



604692
(3987)

SCHOOL BUS CROSS-VIEW SAFETY MIRROR

604653 (398B)

- Steel Coated Black Assembly
- Adjustable Assembly
- Mirror Head Not Included
- 20" to 29" Adjustable



604653
(398B)

SAFETY ASSEMBLIES

SAFETY ASSEMBLIES

608135

- Safety Cross-View
- Polished Stainless Steel Assembly
- Vertical Mount
- Mirror Head Not Included



608135

608100

- Safety Cross-View
- Polished Stainless Steel Assembly
- Horizontal Mount
- Mirror Head Not Included



608100

608102

- Safety Cross-View
- Steel Coated Black Assembly
- Horizontal Mount
- Mirror Head Not Included



608102

608137

- Safety Cross-View
- Steel Coated Black Assembly
- Vertical Mount
- Mirror Head Not Included

604665 (3975)

- Steel Coated White Assembly
- Designed to Eliminate Blind Spots
- Mirror Head Not Included

604698 (3976) - Stainless Steel



604665
(3975)



CHEVROLET/GMC
611642-LH (1572-135)
611643-RH



CHEVROLET/GMC
611551-LH (1571-135)
611553-RH



FORD F-SERIES
605071-LH (1572-FF80)
605073-RH



INTERNATIONAL 4200-8600
611763-RH / 611761-LH
611788-LH without Mirror Head
611786-RH



STERLING
612148-RH / 612146-LH



FORD CL-SERIES/STERLING 360
605003-RH (158200-FC91H)
605001-LH

CUSTOM ASSEMBLIES AVAILABLE FOR:

- Chevrolet/GMC
- Ford
- International
- Freightliner
- Sterling
- Grumman Olson
- Mack
- Oshkosh
- Volvo/Auto Car
- Spartan
- Union City Body
- Utilimaster
- Crane Carrier
- Custom Assemblies, 1970-CURRENT -
See Application chart on page 21 for
years and models not shown.

**INTERNATIONAL 4200-8600
DELUXE HEAVY DUTY VERSION
(Welded Brackets)**
611881-LH
611883-RH



INTERNATIONAL S SERIES
603515-LH (1572-ISN)
603516-RH

CONVENTIONAL AND CABOVER ASSEMBLIES AVAILABLE WITH:

- High Polish Type 304 Stainless Steel
- Electrostatic Paint:
Black
White
- See application chart on page 9 for years and models not shown.



**OSHKOSH HIGHLAND
612757-RH / 612756-LH**



**VOLVO/AUTO CAR
611616-LH (1972-W3)
611618-RH**



**MACK-CH SERIES
611783-RH (1572-CH91)
611781-LH**



**FREIGHTLINER 60-70-80 SERIES
612116-LH (1572-FR70)
612118-RH**



**AG-CHEM
607458-RH and 607468-RH
607456-LH and 607466-LH**



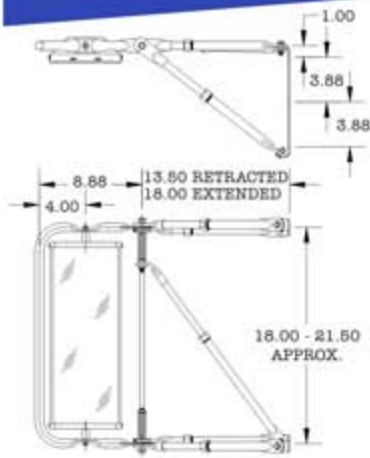
**FREIGHTLINER FLD
612101-LH (157200FR1)
612103-RH**



SPARTAN MOTORS

UNIVERSAL RETRACTABLE ASSEMBLIES

UNIVERSAL CONVENTIONAL MODELS

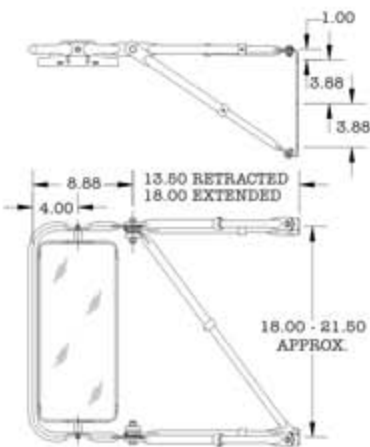


603856 (1571)

- 7" x 16" Steel Mirror Head Coated White - Retractable Steel Coated White Assembly



**603856
(1571)**



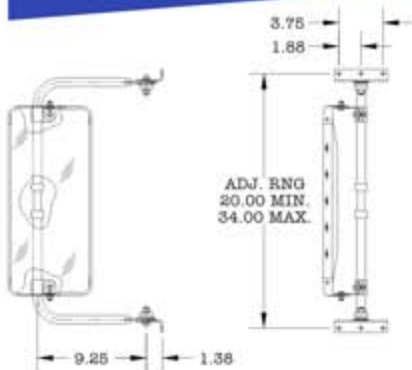
603862 (1572)

- 7" x 16" Polished Stainless Steel Mirror Head - Retractable Polished Stainless Steel Assembly



**603862
(1572)**

UNIVERSAL CABOVER MODELS



603871 (1971)

- 7" x 16" Steel Mirror Head Coated White - Retractable Steel Coated White Assembly, Adjustable Vertically (20.00" to 34.00")

603890 (1972)

- 7" x 16" Polished Stainless Steel Mirror Head - Retractable Polished Stainless Steel Assembly, Adjustable Vertically (20.00" to 34.00")



**603890
(1972)**

ASSEMBLY APPLICATIONS

- CUSTOM applications match factory standard mirror door drilling.
- Adjustable UNIVERSAL Models fit door contours but do not match factory holds.

- Custom assemblies sold individually.
- Universal assemblies sold per side.

APPLICATION			Painted Steel with 7" x 16" Mirror		Stainless Steel with 7" x 16" Mirror		Stainless Steel with 1158 Mirror	
			REF.	LEFT	RIGHT	LEFT	RIGHT	LEFT
AGCO/AG-CHEM								
CURRENT	ROGATOR		607461	607463	Main Side Mirrors, BLK/SST with Euro Mirror (610290)			
CURRENT	TERRA-GATOR		607480	607480	Auxiliary Fender Mirror, BLK/SST with Euro Mirror & 8" Convex			
CURRENT	TERRA-GATOR		607456	607458	Main Side Mirrors, BLK/SST with Euro Mirror (610295)			
CURRENT	ROGATOR/TERRA-GATOR		607466	607468	Auxiliary West Coast Mirror, BLK/SST with Euro Mirror (610290)			
CHEVROLET								
1972-1980	ALL C	340	Above door seam		611561	611563		
1981-1988	ALL 30 & 65; ALL C	134	Below door seam		611556	611558		
1989-2002	ALL 30 & 65; ALL C	135	611551	611553	611642	611643		
1981-1991	ALL H & J	GMC4A			611791	611793		
1999-2006	800 SERIES		611645	611646	611648	611649		
2007-CURRENT	900 SERIES		611886	611887	611889	611890		
FORD								
1991-CURRENT	CARGO CL & CF	FC91					605001	605003
1980-1998	F-150 & ABOVE	FF80			605071	605073		
1999-CURRENT	F-250 & ABOVE	FF99			603976	603978		
1969-1998	ALL L SERIES	FL			605051	605053		
FREIGHTLINER								
1989-CURRENT	FLD	FR1			612101	612103		
1993-CURRENT	FL	FR70			612116	612118		
GMC								
1981-1991	ALL C, E, H, S, & M 7500-9500 SERIES	GMC4A			611791	611793		
1981-1989	C & M 3500-6500 SERIES	134			611556	611558		
1981-1989	H & J 7500-9500 BRIGADIER/KODIAK	GMC4A			611791	611793		
1990-2002	ALL C & M 3500-6500 SERIES TOPKICK	135	611551	611553	611642	611643		
1999-2006	800 SERIES		611645	611646	611648	611649		
2007-CURRENT	900 SERIES		611886	611887	611889	611890		
INTERNATIONAL								
1971-CURRENT	TRANSTAR & PAYSTAR 9400 & 9700 SERIES	137			611751	611753		
1979-2001	S-SERIES	ISN	603500	603501	603515	603516		
2001-CURRENT	4200-8600 SERIES				611761	611763		
2001-CURRENT	4200-8600 SERIES w/o MIRROR HEAD				611786	611788		
2001-CURRENT	4200-8600 HD WELDED BRACKET				611881	611883		
MACK								
CURRENT	R SERIES	MR			611806	611808		
CURRENT	CH SERIES	CH91			611781	611783		
CURRENT	LE SERIES	LE	611796	611798	611801	611803		
OSHKOSH								
1975-CURRENT	ALL F & P	138					606856	606858
CURRENT	HIGHLAND		612756	612757				
STERLING								
CURRENT	ACTERRA, A-LINE & L-LINE				612146	612148		
VOLVO/AUTO CAR								
CURRENT	WC - WG - WH	W3			611616	611618		

COMPONENT PARTS - LOOPS

STAINLESS STEEL GRAB HANDLES

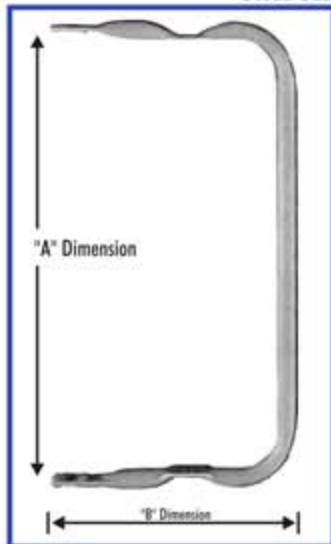
Grab handle dimension "A" is measured between the two inside holes. "B" is measured between the inside and outside hole and is the same either end. "C" is measured from end to end.



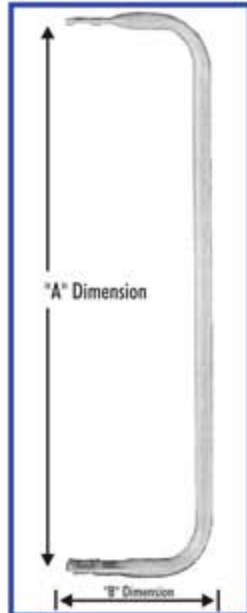
Part No.	A	B	C
602000	8-11/16"	1"	11-9/16"
602010	11-1/8"	1"	14"
602017	24-5/8"	1"	27-1/2"

LOOPS

SWEDGED



PLAIN



LOOPS

DIMENSION	COLOR					TYPE		
	A	B	SST	BLACK	GRAY		WHITE	BROWN
18.500	ADJ.	22.000-32.000						PLAIN
ADJ.								
18.500-30.500	9.250		602105					PLAIN
ADJ.								
20.000-32.000	9.250		602104			602106		PLAIN
ADJ.								
22.500-34.500	7.500		602103					PLAIN
12.500	10.500			601762				PLAIN
14.188	8.500		601950					SWEDGED
15.250	15.000		606655					PLAIN
17.096	8.780		604425	604427				PLAIN
17.096	11.910		612240					PLAIN
18.500	7.250					601959		SWEDGED
18.500	8.875		601870	601875	601872	601873		SWEDGED
18.500	9.250		601795					PLAIN
18.500	12.000		601885					PLAIN
18.500	12.000		601970		601972			SWEDGED
18.500	17.000		608160					SWEDGED
18.500	30.313				601985			SWEDGED
19.625	5.250		606745					PLAIN
20.000	8.500		612305	Used for Aerodynamic Mirror Head				PLAIN
20.500	16.500			604442				PLAIN
20.625	15.250		604378					PLAIN
21.192	16.375		608185					PLAIN
21.750	7.500		601890					PLAIN
22.500	5.500		601900					PLAIN
23.250	5.750		601905					PLAIN
23.250	9.500		601825					PLAIN
23.250	10.000				601833	601834		PLAIN
23.250	14.000					604412		PLAIN
24.500	11.500		601835	601837	601838	601839		PLAIN
24.500	14.500		601960					PLAIN
24.875	6.000			606732				PLAIN
25.125	8.938			606742				PLAIN
26.250	7.250		601925					PLAIN
27.750	5.750			601912				PLAIN
28.375	11.500		601829					PLAIN
28.875	13.563		601994					PLAIN
29.875	5.750		601920		601923	601924		PLAIN
30.000	10.000		601860	601862	601863	601864		PLAIN
30.000	20.750		612200					PLAIN
30.182	8.810		606785		606789		606797	PLAIN
30.500	9.500						606772	PLAIN
31.313	8.810						608246	PLAIN
31.625	15.000			608157				PLAIN
31.813	8.180					612218		PLAIN
32.75	5.75		601930					PLAIN
33.240	7.580			606737				PLAIN
34.105	7.250		608225	608227	608229			PLAIN
34.500	6.750		601945					PLAIN
35.125	8.810			608182		608183	608240	PLAIN
35.142	10.125		606720					PLAIN
36.500	15.500		601935			601939		PLAIN

**CUSTOM
ASSEMBLIES
AVAILABLE FOR:**

- **CHEVROLET/GMC**
- **FORD**
- **DODGE**



FORD
603976-LH (1572-FF99)
603978-RH



CHEVROLET/GMC
611637-RH (1572-400)
611636-LH



CHEVROLET/GMC
611639-LH (1572-455)
611640-RH



DODGE
611642-LH (1572-135)
611643-RH



FORD
605071-LH (1572-FF80)
605073-RH

LIGHT DUTY VAN ASSEMBLY

RETRACTABLE MIRROR ASSEMBLIES

- Finest Quality Non-Glare Glass
- Retractable for Greater Clearance
- Factory Assembled

604721 (2640)

- TOP: 6-1/2" x 10" Flat Glass Stainless Steel
- BOTTOM: 6-1/2" x 6" Convex Stainless Steel
- LOOP: Stainless Steel Adjustable from 20.0" to 34.00"



FORD ECONOLINE
607416-LH
607418-RH



UNIVERSAL
604721
(2640)

LIGHT DUTY APPLICATION GUIDE WEST COAST ASSEMBLIES

APPLICATION		Steel Coated Black with 7" x 16" Black Mirror		Stainless Steel with 7" x 16" SST Mirror	
		LEFT	RIGHT	LEFT	RIGHT
CHEVROLET/GMC					
1988-1998	ALL 30 & 65	611551	611553	611642	611643
1988-1998	C/K Series 400			611636	611637
1988-1998	C/K Series 455			611639	611640
1999-2006	C/K Series 800	611645	611646	611648	611649
2007-CURRENT	C/K Series 900	611886	611887	611889	611890
DODGE					
1994-2001	RAM Truck	611551	611553	611642	611643
FORD					
1980-1996	F-150			605071	605073
1990-1998	F-250 & Above			605071	605073
1999-CURRENT	F-250 & Above			603976	603978
1990-1993	Econoline			607406	607408
1994-CURRENT	Econoline			607416	607418



FEDERAL EXPRESS

ASSEMBLIES AVAILABLE FOR WALK-IN STEP VANS & FULL WIDTH DELIVERY TRUCKS:

- Finest Quality Non-Glare Glass
- Retractable for Greater Clearance
- Dual Head Systems Offer Optimum Rear Vision - Separation Between Heads Minimizes Blind Spot Forward
- Factory Assembled



UNITED PARCEL SERVICE



U.S. POSTAL SERVICE (603925) 25

OE CUSTOM STEP VAN ASSEMBLIES

RETRACTABLE MIRROR ASSEMBLIES

604710 (1981SA)

- 6" x 16" Anodized Aluminum
- Steel Coated White Assembly
- Fits All Models of Step Vans
- Sold as Pairs

604735 (2630)

- TOP: 7-1/2" x 10-1/2" Bright Anodized Aluminum
- BOTTOM: 5-1/2" x 7-1/2" Bright Anodized Aluminum Convex
- LOOP: Steel Coated White
- Sold as Pairs

605680

- TOP: 6-1/2" x 10" Stainless Steel
- BOTTOM: 6-1/2" x 6" SST Convex
- LOOP: Stainless Steel
- Sold as Pairs



**604710
(1981SA)**



**604735
(2630)**



605680

APPLICATION GUIDE - STEP VANS

APPLICATION (SOLD IN PAIRS)	Standard White Assembly 7" x 16" Mirror	Standard Stainless Steel Assembly 7" x 16" Mirror		UPS Assembly Brown Dual Head		Federal Express Assembly Stainless Steel Dual Head		U.S. Postal Service Assembly		
		Short Loop	Long Loop	Short Loop	Long Loop	Short Loop	Long Loop	Gray	SST	SST & Heated
MORGAN OLSON		Short Loop	Long Loop	Short Loop	Long Loop	Short Loop	Long Loop	Gray	SST	SST & Heated
P700	604700	604745	609105	603395	609140	605680	609100	609145	609155	612650
P1200	604700	604745	609105	605675		605680	609100	609145	609155	612650
UNION CITY BODY		Short Loop	Long Loop	Dual Head		Short Loop	Long Loop			
P700	604700	604745	609105	606305		605680	609100			
P1200	604700	604745	609105	606320		605680	609100			
UTILIMASTER		6" x 16" Mirror		Dual Head		Short Loop	Long Loop	White	SST	
P700		607395		607380		605680	609100	607185	607190	
P1200		607395				605680	609100			

STEP VAN REPLACEMENT HEADS

6-1/2" x 6" CONVEX REPLACEMENT HEADS

- 610815 (60)** - Stainless Steel
- 610819 (61)** - White Steel
- 610822 (62)** - Gray Plastic
- 610830 (65u)** - UPS Brown Plastic
- 610836 (67)** - White Plastic
- 610844 (72)** - Black Plastic
- 607970** - Replacement Glass



**610815
(60)**

6-1/2" x 10" FLAT GLASS REPLACEMENT HEADS

- 610827 (63)** - White Steel
- 610829 (64)** - Stainless Steel
- 610834 (66)** - UPS Brown Plastic
- 610840 (68)** - White Plastic
- 610842 (71)** - Gray Plastic
- 610848 (73)** - Black Plastic
- 607972** - Replacement Glass



**610829
(64)**

7-1/2" x 10-1/2" REPLACEMENT HEADS

- 610801 (1731)**
 - Aluminum, Coated White
 - 610804 (1731B) - Aluminum, Coated Black
 - 610806 (1731BC) - Aluminum, Coated Black, Convex
- 610809 (1732)**
 - Bright Anodized Aluminum
 - 610810 (1732C) - Bright Anodized Aluminum, Convex



**610809
(1732)**

LIGHT DUTY CHEVROLET/GMC ASSEMBLIES

CHEVROLET/GMC 7-1/2" x 10-1/2"

611515 (274120) - 3 Leg

- Stainless Steel Mirror Head
- Polished Stainless Steel Braces
- Sold as Pairs



611515 (274120)

CHEVROLET/GMC LIGHT DUTY REPLACEMENT ASSEMBLIES

611580 (2923)

- OEM-Style Replacement Mirror and Mount
- Polished Stainless Steel
- 1972-1988 Chevrolet/GMC Pickup

611585 (2926) - RH

611590 (2927) - LH

- OEM-Style Replacement Mirror and Mount
- Polished Stainless Steel
- 1988-1998 Chevrolet/GMC Pickup
- 1992-1999 Suburban/Tahoe/Yukon

610864 (2930) - LH

610866 (2931) - RH

- OEM-Style Replacement Mirror and Mount
- Motorized
- 1988-1998 Chevrolet/GMC Pickup
- 1992-1999 Suburban/Tahoe/Yukon

611810 - LH

611811 - RH

- OEM-Style Replacement Mirror and Mount
- Motorized & Heated
- 1999-2006 Chevrolet/GMC Pickup
- 2000-2006 Suburban/Tahoe/Yukon/Yukon XL

611925 - LH

611926 - RH

- OEM-Style Replacement Mirror and Mount
- Motorized / Heated
- Telescoping
- 2003-2006 Chevrolet/GMC Pickup

611927 - LH

611928 - RH

- OEM-Style Replacement Mirror and Mount
- Motorized / Heated
- Telescoping

- 2007-2010 Chevrolet/GMC Pickup



611580
(2923)



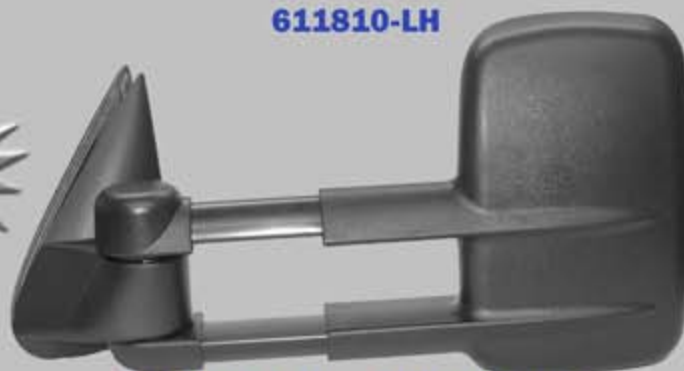
611585
(2926)



610866-RH (2931)



611810-LH



611925 - LH

611927 - LH

LIGHT DUTY CHEVROLET/GMC - DODGE ASSEMBLIES

EXTENDING MIRRORS

- Extends Out to 8" Beyond Original Equipment Mirror Setting
- Installs in Existing OEM Mounting

604750 (291)

- Fits All Full-Size 1994-2001 Dodge Pickups and 1972-1988 Chevrolet/GMC Pickups

611595 (291-B)

- Includes Chevrolet Mounting Base

604753 (292)

- Fits All Full-Size Chevrolet/GMC Pickups 1988-1998 C/K Body Style
- 1992-1999 Suburban/Tahoe/Yukon



611595 (291B)



604753 (292)

DODGE LIGHT DUTY REPLACEMENT ASSEMBLIES

611818 - LH

611819 - RH

- OEM-Style Replacement Mirror
- Motorized / Heated
- 1998-2001 Dodge Ram Pickup

611820 - LH

611821 - RH

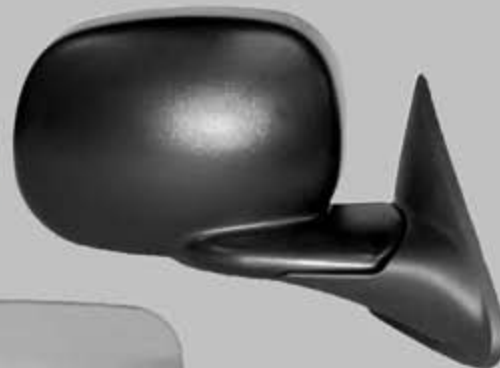
- OEM-Style Replacement Mirror
- Motorized
- 1994-2001 Dodge Ram Pickup

611929 - LH

611930 - RH

- OEM-Style Replacement Mirror
- Motorized / Heated
- Flip-Up Towing Style
- 2002-2008 Dodge RAM

611819-RH



611820-LH



611929-LH



LIGHT DUTY FORD ASSEMBLIES

FORD LIGHT DUTY REPLACEMENT ASSEMBLIES

604614 (2820)

- Ford Custom
- Polished Stainless Steel Mirror Head
- Solid Aluminum Support Arm
- Swing-Away Ratchet Design
- Easy to Install, Factory Assembled

610860 (2932) - LH

610862 (2933) - RH

- OEM-Style Replacement Mirror
- Motorized
- 1997-2003 Ford F-150 Series Pickup
- Will Not Fit Super Crew

611816 - LH

611817 - RH

- OEM-Style Replacement Mirror
- Motorized / Heated
- Telescoping
- 1999-2005 Ford F-250/F-350 Super Duty Pickup
- 1999-2007 Ford Excursion

EXTENDING MIRRORS

- Extends Out to 8" Beyond Original Equipment Mirror Setting
- Installs in Existing OEM Mounting

604761 (294)

- Fits Ford Full-Size Pickups, Ranger and Bronco II
- Mirror Head Not Included

UNIVERSAL 7-1/2" x 10-1/2"

611505 (273120) - 10" Pivot

611500 (273122) - 12" Pivot

611510 (273128) - 8" Pivot

- Bright Anodized Aluminum Mirror Head
- Polished Stainless Steel Bracket and Support Legs



604614
(2820)



610860-LH
(2932)



611817-RH



604761 (294)



611500 (273122)

LIGHT DUTY UNIVERSAL ASSEMBLY

UNIVERSAL MODELS

604631 (2732)

- Bright Anodized Aluminum Mirror Head
- Polished Stainless Steel Support Legs

601690 (73-5S) - Stainless Steel 3" Extension

611600 (2928)

- 7-1/2" x 10-1/2" Polished Stainless Steel Mirror Head and Gooseneck

605755

- Gooseneck Only



604631 (2732)



601690
(73-5S)



611600
(2928)



605755

UNIVERSAL JUNIOR WEST COAST ASSEMBLIES

611706 (21601) - LH

611708 (21601) - RH

- Bright Anodized Aluminum Mirror Head, Coated White Assembly
- Mirror Head is Finest Quality Non-Glare Glass - 5" x 10"
- Retractable Design



611706
(21601)

LIGHT DUTY REPLACEMENT HEADS

601331 (180)

- 6" x 12"
- Bright Anodized Aluminum Mirror Head with Embossed Yellow Chevrons

601311 (640L) - LH

601321 (640R) - RH

- 5" x 10"
- Bright Anodized Aluminum Mirror Head with Embossed Yellow Chevrons



601331
(180)



601311
(640L)



102558
(30)

102558 (30)

- 10" Interior Rear-View Mirror
- Day/Night Prismatic Ground Glass
- Leather/Grain Vinyl Back

LIGHT DUTY REPLACEMENT HEADS

6" x 9"

REPLACEMENT HEAD

604768 (812)

- Stainless Steel
- OEM Replacement
- Flat Glass



604768
(812)

5" x 8"

REPLACEMENT HEAD

604769 (820)

- Stainless Steel
- OEM Replacement
- Flat Glass



604769
(820)

5-1/2" x 7-1/2"

REPLACEMENT HEADS

Horizontal (H) or Vertical (V)
Convex (C) or Flat Glass

Bright Anodized Aluminum

604775 (762H)

604776 (762HC)

604777 (762V)

604778 (762VC)



H - SERIES



V - SERIES

BLACK CONVEX SCHOOL BUS MIRRORS

CENTER MOUNT MIRROR HEADS

- 5/16" Ball Studs

610131 (94)

- 5" Steel Coated Black

610161 (951)

- 6" Aluminum Coated Black

610406 (954)

- 6" Steel Coated Black

604981 (876)

- 7-1/2" Steel Coated Black

610711 (986)

- 8" Steel Coated Black

604913 (986-4)

- 8" Steel Coated Black
- Plastic Ball Stud

610750 (987)

- 8" Steel Coated Black
- Full Bubble

604945 (990-4)

- 10" Black Plastic Back
- Plastic Ball Stud

604947 (993-4)

- 12" Black Plastic Back
- Plastic Ball Stud



610131 (94)



609841 (871)



604653 (398B)



608102



610804 & 610806

OFFSET MOUNT MIRROR HEADS

- 5/16" Ball Studs

609841 (871)

- 7-1/2" Steel Coated Black

610591 (981)

- 8" Steel Coated Black

604827 (981-4)

- 8" Steel Coated Black
- Plastic Ball Stud

609901 (881)

- 8-1/2" Steel Coated Black

SAFETY ASSEMBLIES

SCHOOL BUS CROSS-VIEW SAFETY MIRROR

604653 (398B)

- Steel Coated Black Assembly
- Adjustable
- Mirror Head Not Included

608102

- Steel Coated Black Assembly
- Horizontal Mount
- Mirror Head Not Included

608137

- Steel Coated Black Assembly
- Vertical Mount
- Mirror Head Not Included

610804 - Flat

610806 - Convex

- Steel Coated Black Assembly
- 7" x 10" Driving Mirror
- Mirror Heads Only

FULL ASSEMBLY WITH MIRROR HEAD

611822 - L/H New IH

611823 - R/H New IH

611824 - L/H Old IH

611825 - R/H Old IH

611826 - L/H Freightliner

611827 - R/H Freightliner

611777 - 11" x 15" Oval Mirror Head



WEST COAST SCHOOL BUS MIRROR HEADS

OEM STYLE FLAT RIB BACK 7" x 16" MIRROR HEADS

- Universal Stud Mount
- Hard Baked Enamel

610216 (1143)

- Black
- 610221 (1143H) - Heated

OEM STYLE BUBBLE BACK 7" x 16" MIRROR HEADS

- Universal Stud Mount
- Hard Baked Enamel

610246 (1146)

- Black
- 610251 (1146H) - Heated

OEM STYLE PYRAMID BACK 7" x 16" MIRROR HEADS

- Navistar Style Mirror Head
- Flange Mount Mirror
- Finest Quality Non-Glare Glass
- Universally Fits All Assemblies

600685 (1156B)

- Black

OEM STYLE 7" x 16" MIRROR HEAD

605400 (1163)

- Black Plastic
- Finest Quality Non-Glare Glass

610351 (1167)

- Steel Coated Black Pyramid Back, Stud Mount
- 610356 (1167H) - Heated

OEM STYLE 8" x 19" MIRROR HEAD

611771

- Black Plastic
- Dual Vision
- Fits 5/8" to 1-1/8"



610216
(1143)



610246
(1146)



600685
(1156B)



605400
(1163)



610351
(1167)



611771

Black Motorized Mirror, See Page 4

TUFF GUARD

tuffGuard

TUFF GUARD STYLES

205500 - Stainless Steel - 15° Bend

205501 - Black - 15° Bend

205504 - Stainless Steel - 25° Bend

205505 - Black - 25° Bend

- Heavy-Duty 3" Tubular Construction
- Available in 14 ga. High Polish Stainless Steel or 11 ga. Powder Coated Black Steel with a 15° or 25° Bend for Specific Applications
- Universal Fit with Vehicle-Specific Mounting Brackets
- Easy Installation - No Drilling or Front-End Modification
- Mounting Brackets Packaged Separately
- Provides Strong and Stylish Bumper Protection
- Folds Down for Easy Access to Hood



Kenworth T800
Bracket #205540



Kenworth T600
Bracket #205660



Kenworth W900
Bracket #205640



Freightliner Cascadia
Bracket #205760



Freightliner Classic
Bracket #205560



Freightliner Columbia
Bracket #205600

TUFFGuard

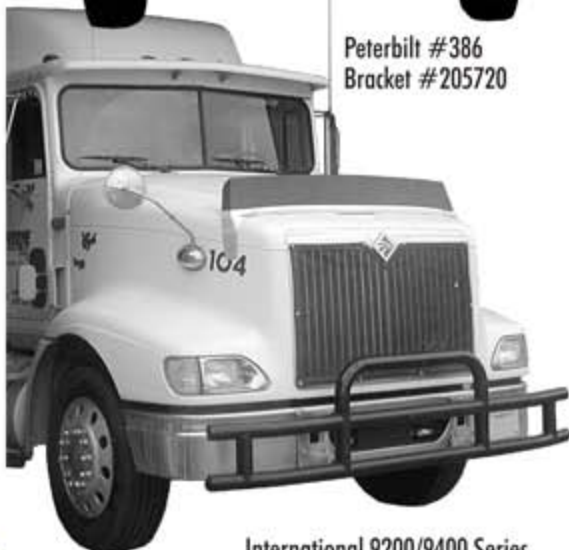
TUFF GUARD STYLES



Peterbilt #379
Bracket #205520



Peterbilt #386
Bracket #205720



International 9200/9400 Series
Bracket #205580



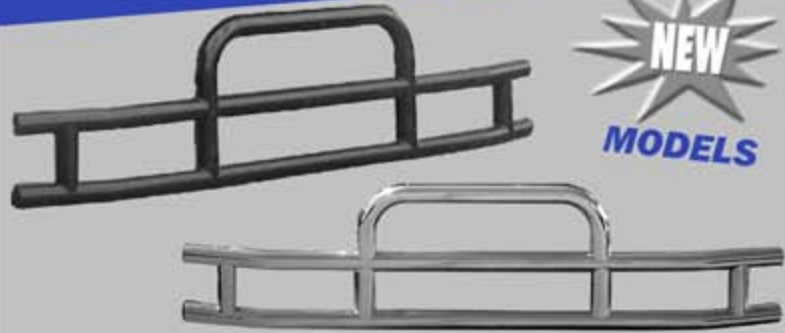
Volvo VN
Bracket #205620



International ProStar
Bracket #205680

International DuraStar
Bracket #205700





• Display Stand - #590700 & #205520

APPLICATION GUIDE
TUFF GUARD

Year	Application	Weight	Item No.
UNIVERSAL GUARD ASSEMBLY		STAINLESS STEEL	
ALL	Universally Fits Shown Models Below with Listed Mounting Brackets - 15° Bend	69 lbs.	205500
ALL	Universally Fits Shown Models Below with Listed Mounting Brackets - 25° Bend	69 lbs.	205504
		BLACK POWDERCOAT	
ALL	Universally Fits Shown Models Below with Listed Mounting Brackets - 15° Bend	93 lbs.	205501
ALL	Universally Fits Shown Models Below with Listed Mounting Brackets - 25° Bend	93 lbs.	205505
CHEVROLET/GMC			
03-09	Chevy Kodiak/GMC Topkick (C6500-C8500) (25° Bend Recommended)	21 lbs.	205700
FORD			
04-09	F-650/F-750 Series (25° Bend Recommended)	17 lbs.	205770
FREIGHTLINER			
08-09	Freightliner Cascadia (25° Bend Recommended)	26 lbs.	205760
91-09	Freightliner Classic (15° Bend Recommended)	20 lbs.	205560
01-09	Freightliner Columbia (15° Bend Recommended)	14 lbs.	205600
INTERNATIONAL			
97-09	International 9200-9400 Series (15° Bend Recommended)	27 lbs.	205580
07-09	International DuraStar (25° Bend Recommended)	10 lbs.	205740
08-09	International ProStar (25° Bend Recommended)	45 lbs.	205680
KENWORTH			
85-07	Kenworth T600 (25° Bend Recommended)	12 lbs.	205660
07-09	Kenworth T660 (25° Bend Recommended)	23 lbs.	205720
87-09	Kenworth T800 (15° Bend Recommended)	10 lbs.	205540
82-09	Kenworth W900 (15° Bend Recommended)	21 lbs.	205640
MACK			
07-09	Pinnacle (25° Bend Recommended)	27 lbs.	205780
PETERBILT			
87-07	Peterbilt 379 (15° Bend Recommended)	21 lbs.	205520
06-09	Peterbilt 386 (25° Bend Recommended)	23 lbs.	205720
VOLVO			
04-09	Fits New Style VN & VT Models (15° Bend Recommended)	24 lbs.	205620

PROTEC GRILLE GUARD

PROTEC

Grille Guard



PROTEC GRILLE GUARD STYLES

205515 - Stainless Steel - 15° Bend

205516 - Black - 15° Bend

205517 - Stainless Steel - 25° Bend

205518 - Black - 25° Bend

- Heavy-Duty 3" Tubular Construction
- Available in 14 ga. High Polish Stainless Steel or 11 ga. Powder Coated Black Steel with a 15° or 25° Bend for Specific Applications
- Universal Fit with Vehicle-Specific Mounting Brackets
- Easy Installation - No Drilling or Front-End Modification
- Mounting Brackets Packaged Separately
- Provides Strong and Stylish Bumper, Lights and Grille Protection
- Folds Down for Easy Access to Hood



Volvo VN/VT
Bracket #205620



Peterbilt 379
Bracket #205520



Peterbilt 386
Bracket #205720



International DuraStar
Bracket #205700



International 9200/9400
Bracket #205580

Ford F-650
Bracket #205770

PROTEC GRILLE GUARD

PROTEC

Grille Guard



Kenworth T800
Bracket #205540



Kenworth W900
Bracket #205640



Freightliner Classic
Bracket #205560



International ProStar
Bracket #205680

Freightliner Cascadia
Bracket #205760



Freightliner Columbia
Bracket #205600



Mack Pinnacle
Bracket #205780



PROTEC GRILLE GUARD

PROTEC

Grille Guard



• Display Stand - #590700 & 205520



APPLICATION GUIDE PROTEC GRILLE GUARD

Year	Application	Weight	Item No.
UNIVERSAL GUARD ASSEMBLY		STAINLESS STEEL	
ALL	Universally Fits Shown Models Below with Listed Mounting Brackets - 15° Bend	89 lbs.	205515
ALL	Universally Fits Shown Models Below with Listed Mounting Brackets - 25° Bend	89 lbs.	205517
		BLACK POWDERCOAT	
ALL	Universally Fits Shown Models Below with Listed Mounting Brackets - 15° Bend	121 lbs.	205516
ALL	Universally Fits Shown Models Below with Listed Mounting Brackets - 25° Bend	121 lbs.	205518
CHEVROLET/GMC			
03-09	Chevy Kodiak/GMC Topkick (C6500-C8500) (25° Bend Recommended)	21 lbs.	205700
FORD			
04-09	F-650/F-750 Series (25° Bend Recommended)	17 lbs.	205770
FREIGHTLINER			
08-09	Freightliner Cascadia (25° Bend Recommended)	26 lbs.	205760
91-09	Freightliner Classic (15° Bend Recommended)	20 lbs.	205560
01-09	Freightliner Columbia (15° Bend Recommended)	14 lbs.	205600
INTERNATIONAL			
97-09	International 9200-9400 Series (15° Bend Recommended)	27 lbs.	205580
07-09	International DuraStar (25° Bend Recommended)	10 lbs.	205740
08-09	International ProStar (25° Bend Recommended)	45 lbs.	205680
KENWORTH			
85-07	Kenworth T600 (25° Bend Recommended)	12 lbs.	205660
07-09	Kenworth T660 (25° Bend Recommended)	23 lbs.	205720
87-09	Kenworth T800 (15° Bend Recommended)	10 lbs.	205540
82-09	Kenworth W900 (15° Bend Recommended)	21 lbs.	205640
MACK			
07-09	Pinnacle (25° Bend Recommended)	27 lbs.	205780
PETERBILT			
87-07	Peterbilt 379 (15° Bend Recommended)	21 lbs.	205520
06-09	Peterbilt 386 (25° Bend Recommended)	23 lbs.	205720
VOLVO			
04-09	Fits New Style VN & VT Models (15° Bend Recommended)	24 lbs.	205620

BIG RIG GRILLE GUARD

BIG RIG Grille Guard

- Heavy-Duty 14 ga. Stainless Steel 3" and 2" Tubular Construction with a Satin Finish
- Easy Installation - No Drilling or Front End Modification
- Folds Down for Easy Access to Hood
- Entire Guard can be Removed by Pulling Two Pins



Kenworth T800

Volvo VN



Freightliner Columbia



APPLICATION GUIDE BIG RIG GRILLE GUARD

Year	Application	Weight	Item No.
FREIGHTLINER			
91-03	Freightliner Classic	150 lbs.	205190
04-10	Freightliner Classic	152 lbs.	205720
05-10	Freightliner Century	130 lbs.	205230
01-10	Freightliner Columbia	130 lbs.	205230
89-10	Freightliner FLD	120 lbs.	205080
INTERNATIONAL			
99-10	International 9900	150 lbs.	205220
KENWORTH			
87-10	Kenworth T800	130 lbs.	205130
82-10	Kenworth W900	155 lbs.	205160
PETERBILT			
87-07	Peterbilt 379	140 lbs.	205105
VOLVO			
04-10	Fits New Style VN & VT Models	125 lbs.	205250

**"DEFENDER SERIES"
FRONT-END REPLACEMENT**

- Custom-Designed for Makes and Models Listed Below
- Constructed from 7 ga. Steel with a Black Textured Powder Coat Finish
- Features a 14 ga. 2" Ring with Three 1¼" Diameter Center Tubes
- 1/4" Steel Mounting Brackets are Included
- Rubber Extrusions are Securely Bolted to Uprights for Added Protection
- Includes a 2" Receiver Hitch
- Provision for Two 6" Diameter or Smaller Aftermarket Lights in Bumper (Lights Not Included)
- 1/4" Steel Winch Support Bracket for Winch (Winch Not Incl.)
- Removable Winch Access Panel
- Approximate Weight 275 lbs.
- Easy, No-Drill Installation
- Free Shipping from Brandon, South Dakota
- Special Packaging to Eliminate Freight Damage



2007-2010 Silverado 2500HD/3500



2006-2009 Dodge RAM 2500, 3500



2008-2010 Ford Super Duty F-Series

**APPLICATION GUIDE
"DEFENDER SERIES"
FRONT-END REPLACEMENT**

Year	Application	Item No.
CHEVROLET/GMC		
07-10	Chevy Silverado 2500HD/3500	180712
07-10	GMC Sierra 2500HD/3500	180742
DODGE RAM		
06-09	RAM 2500, 3500	180332
FORD		
08-10	Super Duty F-Series	180822

Cab Guard

- Universal Fit on Full-Size, Current Model Pickups
- 1¼" Diameter Tubular Steel Construction with Black Powder Coat Finish
- Easy Installation with Minor Drilling Required
- Utilizes Front Stake Pocket Opening for Bracket Mount
- Utility Light Brackets Available as Accessories



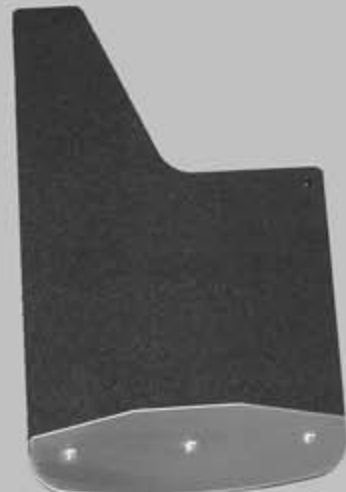
Utility Light Bracket Shown

APPLICATION GUIDE CAB GUARD

Year	Application	Item No.
ALL	Universal Fit on Full-Size, Current Model Pickups	590200
ALL	Utility Light Brackets - Black (Sold in Pairs Only)	590201

TEXTURED RUBBER MUD GUARDS

- Custom-Fit Applications (Listed Below)
- Heavy-Duty 3/8" Textured Rubber
- Front or Rear Mud Guards in 12" x 20", 12" x 23", and 20" x 23" Dual Wheel Sizes
- 18 Gauge Stainless Steel Plate Attached to Bottom Adds Touch of Style
- Easy to Install (Includes Corrosion-Resistant Mounting Hardware)
- Improves Vehicle Appearance and Extends Body Life by Reducing Rock and Stone Chips

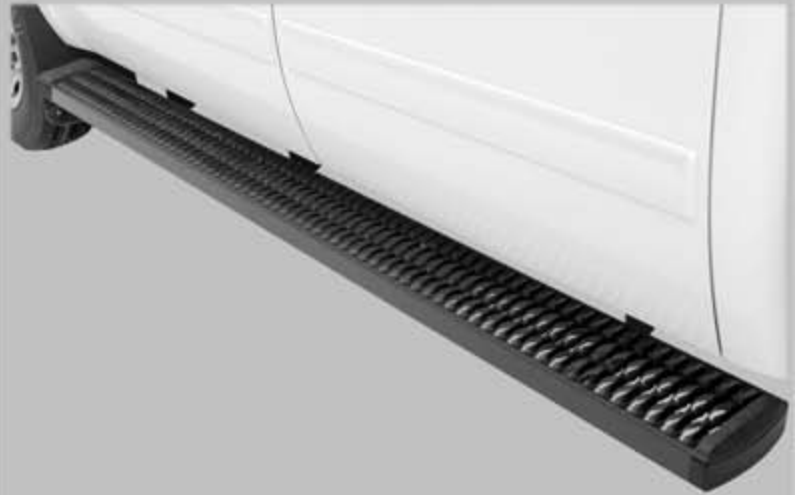


APPLICATION GUIDE TEXTURED RUBBER MUD GUARDS

Year	Application	Dimension	Weight	Item No.
CHEVROLET/GMC		W x H		
07-10	Silverado/Sierra Pickups - Front or Rear	12" x 20"	8 lbs.	250740
07-10	Silverado/Sierra Pickups - Front or Rear	12" x 23"	9 lbs.	250743
07-10	Silverado/Sierra Dual Wheel - Rear Only	20" x 23"	18 lbs.	250744
DODGE				
03-09	RAM 2500, 3500 - Front or Rear (Also fits 06-09 RAM Mega Cab 2500, 3500)	12" x 20"	8 lbs.	250230
03-09	RAM 2500, 3500 - Front or Rear (Also fits 06-09 RAM Mega Cab 2500, 3500)	12" x 23"	9 lbs.	250233
03-09	RAM 2500, 3500 Dual Wheel (Also fits 06-09 RAM Mega Cab 3500)	20" x 23"	18 lbs.	250334
FORD				
08-10	Ford Super Duty F-Series Pickups - Front or Rear	12" x 23"	9 lbs.	250823
99-10	Ford Super Duty F-Series Dual Wheel - Rear Only	20" x 23"	18 lbs.	259924
UNIVERSAL				
ALL	Universal Fit for virtually all applications not listed above (drilling required)	12" x 20"	8 lbs.	251220
ALL	Universal Fit for virtually all applications not listed above (drilling required)	12" x 23"	9 lbs.	251123

GripStep®

- Features a 7 inch x 2½ inch Step Constructed of 5052-H32 Aluminum
- Durable Black Powder Coat Finish
- Features an Innovative Step Design for Added Traction and Safety
- Vehicle-Specific Brackets Allow for Easy, No-Drill Installation
- 78", 88" and 114" Step Lengths Fit a Wide Range of Vehicle Applications
- Brackets are Black Powder Coated High-Strength Steel
- Includes Stainless Steel Fasteners and Textured Black ABS Plastic End Caps
- Some Step Board Assembly Required
- Grip Steps are Packaged and Shipped as Two Cartons - Custom Mounting Brackets and Step Boards



APPLICATION GUIDE GRIP STEP - CAB LENGTH

Year	Application	Bracket	Board
CHEVROLET/GMC			
07-10	Silverado/Sierra Extended Cab	570713	415078
07-10	Silverado/Sierra Crew Cab	570713	415088
DODGE			
03-09	RAM Quad Cab 2500, 3500	570232	415078
FORD			
99-10	Super Duty Super Cab	579922	415078
99-10	Super Duty Crew Cab	579922	415088

APPLICATION GUIDE GRIP STEP - WHEEL-TO-WHEEL

Year	Application	Bracket	Board
CHEVROLET/GMC			
07-10	Silverado/Sierra Regular Cab Standard Box (6.5 ft. Box)	570717	415078
07-10	Silverado/Sierra Regular Cab Long Box / Dual Wheel (8 ft. Box)	570717	415088
07-10	Silverado/Sierra Extended Cab Short Box (5.8 ft. Box)	570717	415088
07-10	Silverado/Sierra Extended Cab Long Box / Dual Wheel (8 ft. Box)	570717	415114
07-10	Silverado/Sierra Crew Cab Standard Box (6.5 ft. Box)	570717	415114
DODGE			
03-09	RAM Regular Cab 2500, 3500 Short Box	570237	415078
03-09	RAM Quad Cab 2500, 3500 Long Box / Quad Cab Dual Wheel	570237	415114
03-09	RAM Mega Cab 2500, 3500 Short Box / Dual Wheel	570637	415114
FORD			
08-10	Ford Super Duty Regular Cab / Regular Cab Dual Wheel (8 ft. Box)	570829	415088
08-10	Ford Super Duty Super Cab / Super Cab Dual Wheel (8 ft. Box)	570829	415114
08-10	Ford Super Duty Crew Cab (6.75 ft. Box)	570829	415114

DISPLAYS

HEAVY-DUTY WALL DISPLAY

Display is completely assembled and ready to hang.



HEAVY-DUTY WALL DISPLAY

MOTORIZED MIRROR COUNTER DISPLAYS

607030 (1171CD)

607038 (1172CD)

- 7" x 16" OE Style
- Polished Stainless Steel Back
- Fully Powered
- Dual Vision - Both Convex and Flat Glass Motorized

SINGLE VISION



607030
(1171CD)

DUAL VISION



607038
(1172CD)

POINT OF PURCHASE THREE-SIDED GRID DISPLAY

611845

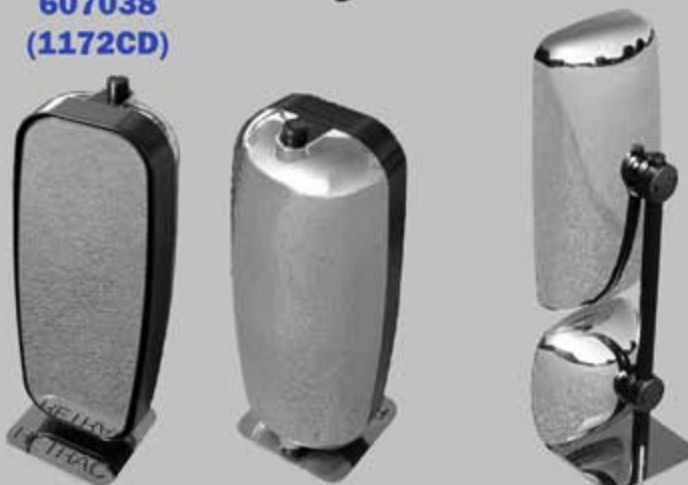
- One Retrac Header
- Three 24" x 60" Grid Panels
- One Roller Base
- 27 Hooks
- Eight Mounting Clamps
- Product Not Included



AERODYNAMIC MIRROR HEAD COUNTER DISPLAY

613004

- Stainless Steel with Laser Cut Logo
- Mirrors Not Included



1-800-328-5192
FAX 605-582-3486



RETRAC
MIRRORS

1200 East Birch Street
Brandon, SD 57005
605-582-7200

www.retracmirrors.com